

OUTPUTS

- 1. Home Team
- 2. Guest Team

Data: Brown (+)

NOT USED
3-16

8335LSTN Baseball Controller Plate

Scoreboard Type: 500

Power Supply Outputs:

POWER 1 (Quad):

P1.1 ≈ 3.49A P1.2 ≈ 3.90A

P1.3 ≈ 3.75A P1.4 ≈ 3.75A

POWER 2 (Quad):

P2.1 ≈ 3.87A P2.2 ≈ 3.87A

P2.3 ≈ 3.87A P2.4 ≈ 3.87A

POWER 3 (Quad):

P3.1 ≈ 3.87A P3.2 ≈ 2.90A

P3.3 ≈ 3.87A P3.4 ≈ 2.90A

"C" refers to controller board output. If Indicators are used, C4 data will go to the Indicator Driver Board and then to the digit(s).

OUTPUTS

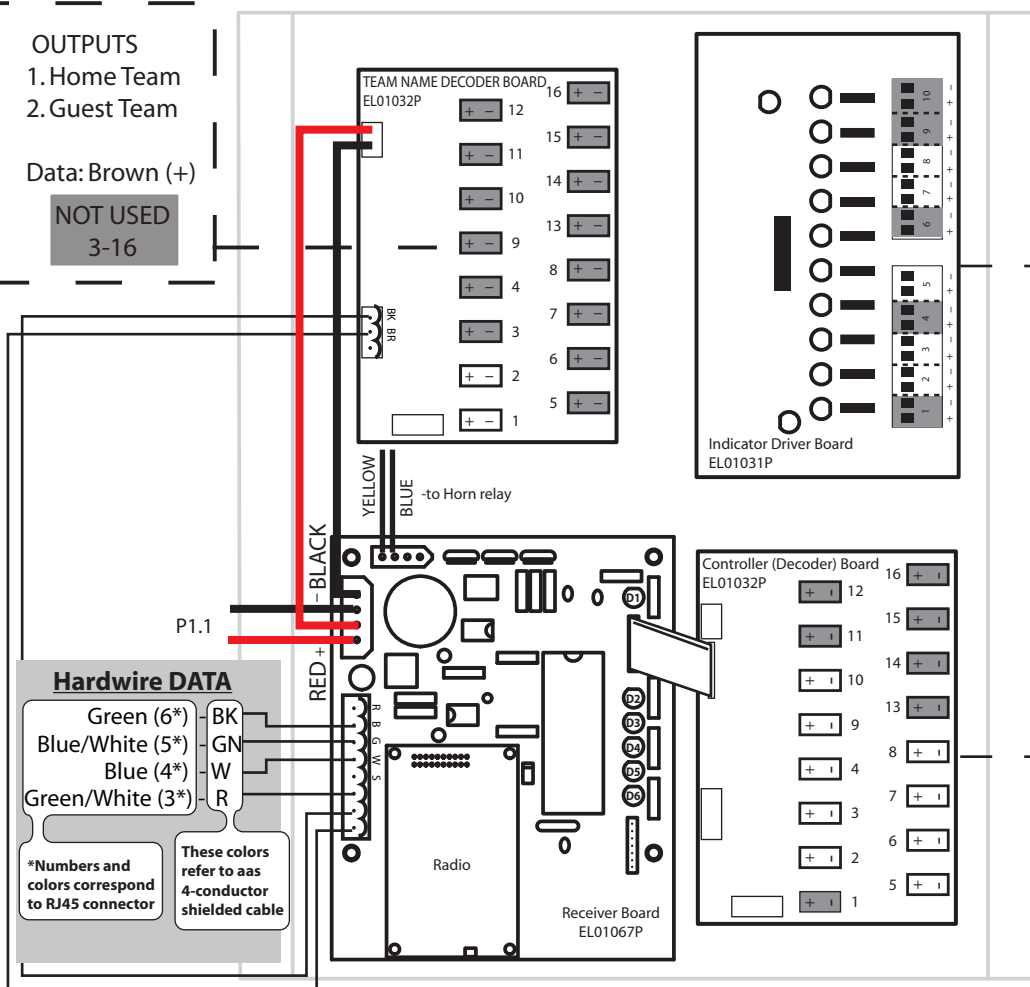
- 2. 3rd Base
- 3. 1st Base
- 5. 2nd Base
- 7. Hit
- 8. Error

NOT USED
1,4,6,9,10

OUTPUTS

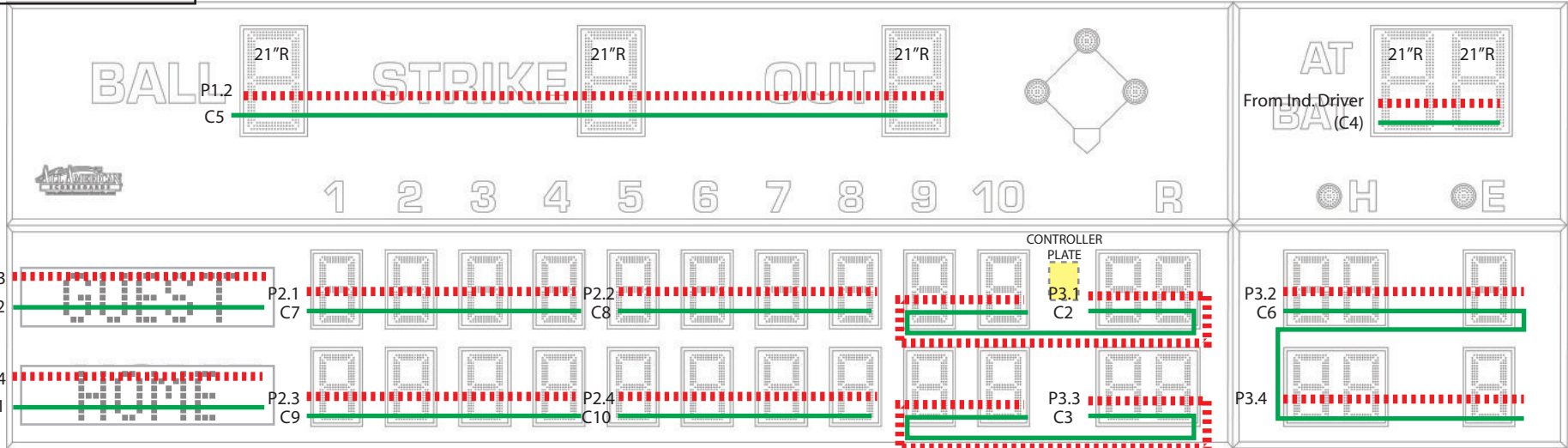
- 2. Guest Runs, Inn 9,10
- 3. Home Runs, Inn 9,10
- 4. Indicators, Batter
- 5. Ball, Strike, Out
- 6. Guest Hits, Errors
Home Hits Errors
- 7. Guest Inn 1-4
- 8. Guest Inn 5-8
- 9. Home Inn 1-4
- 10. Home Inn 5-8

NOT USED
1,11-16



Hardwire DATA

- Green (6*) BK
 - Blue/White (5*) GN
 - Blue (4*) W
 - Green/White (3*) R
- *Numbers and colors correspond to RJ45 connector
- These colors refer to aas 4-conductor shielded cable



All Digits in lower panels are 14"Red. — = DATA - - - - - = 10.5VDC POWER

115 VAC / 60 Hz - 9.0 Amps